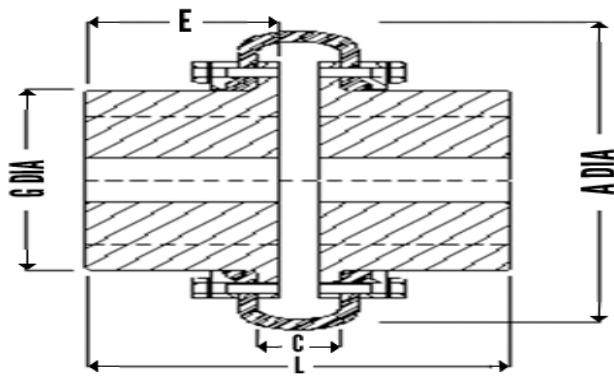


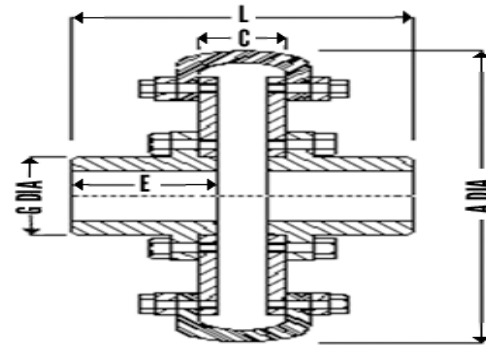


UNIQUE Tyre Type Automatic Flexible Cushion Couplings

GENERAL ASSEMBLY DRAWING



UPTO SIZE 520 H



SIZE PH 600 TO PH 1250

DIMENSIONS AND TECHNICAL DATA

SIZE	Cont. Rating				Approximate Dimensions						Max Misalignment			Weight Kg		
	Max Bore mm	Max Sped RPM	Torque Nm	HP/100 Rpm	Max Torque Nm	A Dia mm	G Dia inch	E mm	C Nm	L mm	Torsio-nal Stiffness NM/rad	MR^2 KgM^2	Radial mm		Axial mm	Ang deg
PH-76	27	6000	18	0.25	54	76	39	30	14	66	255	0.00024	0.1	0.2	4	0.84
PH-86	34	6000	29	0.4	87	86	49	35	14	76	410	0.00055	1.5	0.2	4	1.35
PH-96	36	5500	36	0.5	108	96	51	35	16	76	510	0.00086	1.5	0.2	4	01.5
PH-106	38	5500	45	0.6	135	106	54	35	18	76	618	0.00135	1.5	2.5	4	01.9
PH-116	42	5500	55	0.75	165	116	60	40	22	88	765	0.00230	1.5	2.5	4	2.75
PH-126	48	5500	90	1.25	270	126	68	40	22	88	1275	0.00350	0.2	2.5	4	03.5
PH-140	50	5500	125	1.75	375	140	72	46	26	100	1815	00.0060	0.2	2.5	4	4.75
PH-160	50	5000	165	2.25	495	160	82	50	28	108	2350	00.0112	0.2	2.5	4	6
PH-178	60	4500	220	0.3	660	178	100	60	32	128	3140	000.023	2.5	2.5	4	11
PH-190	65	4000	285	0.4	855	190	105	70	30	146	4170	000.034	2.5	2.5	4	14
PH-218	75	3500	430	0.6	1290	218	124	75	36	160	6380	000.065	2.5	0.3	4	21
PH-250	85	3000	610	0.85	1830	250	145	90	40	192	9075	000.123	0.3	3.5	4	32
PH-272S	75	2750	740	10.5	2220	272	125	80	40	173	10800	000.131	0.3	3.5	4	28
PH-272H	100	2750	740	10.5	2220	272	163	96	40	205	10800	000.189	0.3	3.5	4	38
PH-292S	80	2600	1070	0.15	3210	292	130	80	47	175	16200	000.178	3.5	0.4	4	30
PH-292H	105	2600	1070	0.15	3210	292	168	105	47	228	16200	000.243	3.5	0.4	4	44
PH-316S	90	2500	1320	18.5	3960	316	150	90	47	195	18800	000.270	3.5	0.4	4	40
PH-316H	115	2500	1320	18.5	3960	316	190	115	47	245	18800	000.395	3.5	0.4	4	60
PH-342S	90	2250	1870	0.26	5610	342	150	90	53	195	26700	000.360	0.4	4.5	4	45
PH-342H	120	2250	1870	0.26	5610	342	198	120	53	255	26700	000.520	0.4	4.5	4	71
PH-390S	100	2000	2850	0.40	8550	390	165	100	57	218	40700	000.717	0.4	0.5	4	70
PH-390H	140	2000	2850	0.40	8550	390	230	140	57	298	40700	0001.10	0.4	0.5	4	115
PH-450S	130	1600	5000	0.70	15000	450	216	120	60	270	71400	0001.36	4.5	0.6	4	110
PH-450H	175	1600	5000	0.70	15000	450	286	170	60	360	71400	0002.42	4.5	0.6	4	190
PH-520S	150	1480	7150	100	21450	520	250	135	62	294	102000	0002.60	0.5	0.6	4	170
PH-520H	220	1480	7150	100	21450	520	324	180	62	384	102000	0005.45	5.5	0.6	4	300
PH-600	As Required	1300	12850	180	38550	600	TO SUIT REQUIREMENTS				184000	ON REQUEST	0.6	0.8	4	ON REQUEST
PH-672		1100	19230	270	57690	672					275000		6.5	0.8	4	
PH-725		1000	28500	400	85500	725					407000		6.5	0.8	4	
PH-812		850	42740	600	128220	812					612000		0.7	0.8	4	
PH-1000		750	64100	900	192300	1000					918000		0.8	0.8	5	
PH-1100		650	85500	1200	256500	1100					1216000		0.8	0.8	5	
PH-1175		550	107000	1500	321000	1175					1530000		0.8	0.10	6	
PH-1250		500	143000	2000	429000	1250					2040000		0.8	0.12	6	

The Flexible element is suitable for ambient temperature upto 60 deg C. Special heat/oil resistant members available on request at extra cost
 Size 272 to Size 520 can also be supplied with standard hub on one side & heavy hub on other side
 Max torque refers to infrequent torque of short duration - such as during starting
 For selection - refer instruction for selection using service factors.
 Weight & Inertia are with solid hubs

