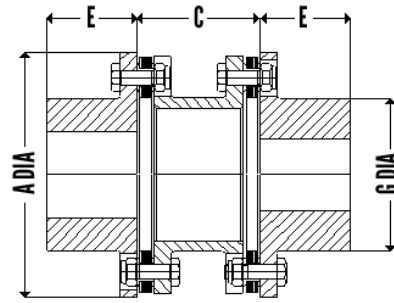


**UNIQUE METAFLEX COUPLINGS****Series 80 AMR Coupling**

Type AMR Couplings are designed for heavy duty applications at slow to medium speeds. These are very suitable for heavy duty motor and diesel engine drives with high starting torques, shock load or reversing load. The open lug type center member gives adequate clearance for bolt removal while requiring minimum space for machine installation. The center member can be removed without having to shift connected machines.

GENERAL ASSEMBLY DRAWING**DIMENSIONS AND STANDARD SIZES**

Size	Nominal HP/100 RPM	Rating Torque NM	Peak Torque Rating NM	Max Speed RPM	Max Bore MM	D MM	B MM	C MM	G MM
162	7	500	625	2500	42	117	44	85	70
200	12	855	1070	2500	55	146	54	100	84
225	18	1282	1605	2500	60	153	64	100	95
262	33	2350	2940	2500	70	175	73	115	114
312	56	3990	4990	2500	85	206	86	135	138
350	70	4990	6240	2300	90	232	95	150	152
375	100	7125	8910	2200	100	256	102	170	165
425	140	9975	14470	2000	110	279	108	180	177
450	170	12110	15140	1900	115	302	114	195	189
500	270	19230	24040	1800	130	341	127	222	213
550	400	28500	35625	1800	150	381	140	250	240
600	500	35625	44530	1800	160	425	153	276	262
700	800	57000	71250	1500	180	481	178	316	298
750	1100	78375	97970	1500	200	524	184	343	321
800	1600	114000	142500	1200	215	568	197	375	349



UNIQUE METAFLEX COUPLINGS

Series 80 AMR Coupling

ENGINEERING DATA

Size	Mass	Inertia MR ²	Maximum Misalignment		Torsional Stiff	Bolt Torque
	KG	KG.M ²	AXIAL MM	RADIAL MM	MNm/Rad	Nm
162	6	0.01	1.3	0.58	0.25	24
200	9	0.02	1.8	0.66	0.43	48
225	10	0.02	1.4	0.66	0.84	48
262	15	0.05	1.5	0.77	1.33	48
312	25	0.11	1.9	0.92	2.2	80
350	34	0.19	2.0	1.01	2.9	200
375	50	0.32	2.3	1.13	4.0	200
425	59	0.47	2.5	1.23	5.9	400
450	73	0.68	2.8	1.32	7	400
500	100	1.20	3.0	1.51	10	400
550	136	2.15	3.2	1.7	16	540
600	170	3.22	3.7	1.88	18	700
700	260	6.30	4.1	2.14	29	1400
750	315	9.50	4.6	2.33	38	1400
800	405	17.20	5.0	2.52	51	on req

Mass, Inertia & stiffness are at max bore. Standard construction has hubs in close grained cast iron for all sizes. Centre member are of cast iron upto size 600 and forged steel for larger sizes. Disc packs are of stainless steel for all sizes. Alternative materials including forged steel hubs with larger bore capacity available on request.

