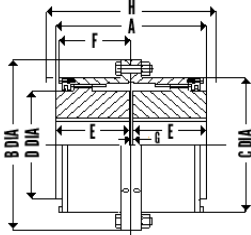





<p>Unique GX Gear COUPLINGS LARGE SIZES</p> <ul style="list-style-type: none"> CURVED TEETH FOR REDUCED WEAR PILOTED ON TOOTH OD FOR BETTER DYNAMIC BALANCE COMPACT HIGHER BORE CAPACITY HIGHER RATINGS 	<p>GENERAL ASSEMBLY DRAWING</p>   <p>SEALING DETAIL</p>
--	---

DIMENSIONS AND STANDARD SIZES

Size	HP/100 RPM	Nom Torque NM	Peak Torque NM	Max Speed RPM	Max Bore RPM	A MM	B Dia MM	C Dia MM	D Dia MM	E MM	F MM
G-4600	1560	111000	222000	2400	220	388	460	377	298	190	190
G-4900	1825	130000	260000	2270	240	408	490	390	310	200	190
G-5300	2246	160000	283000	2100	270	450	530	440	355	220	195
G-5900	3790	270000	488000	1900	300	570	590	490	400	280	225
G-6400	4211	300000	580000	1800	325	597	640	518	432	292	234
G-6850	5190	370000	740000	1500	360	623	685	562	480	305	251
G-7400	6315	450000	900000	1400	400	673	740	620	530	330	269
G-8050	7860	560000	1120000	1300	450	713	805	682	594	350	283
G-8400	10524	750000	1260000	1250	470	713	840	715	625	350	283
G-9000	11880	846000	1400000	1175	485	753	900	767	662	370	295
G-9600	14400	1025000	1700000	1090	500	793	960	820	700	390	310

MASS AND INERTIA ARE AT PILOT BORE. LIMITED END FLOAT ON REQUEST. DIMENSION H IS ALIGNMENT CLEARANCE. HIGHER SPEEDS ON REQUEST.





Unique GX Gear COUPLINGS

LARGE SIZES**ENGINEERING DATA**

Size	Pilot Bore mm	H MM	WT KG	MR ² KGM ²	K BOLT QTY* <i>DIA</i>	MAX MISALIGNMENT PAR MM	ANG DEG	AXIAL +- MM	GREASE REQD KG	BOLT TORQUE NM
G-4600	120	520	260	0.5	14*25	1.5	2*0.75	0.8	2.5	960
G-4600	120	520	260	0.5	14*25	1.5	2*0.75	0.8	2.5	960
G-4900	120	520	310	0.7	14*25	1.6	2*0.75	10	0.3	960
G-5300	150	530	375	9.5	16*25	1.7	2*0.75	10	3.7	960
G-5900	180	635	590	20	20*25	0.2	2*0.75	10	6.5	960
G-6400	200	673	760	31	18*32	2.1	2*0.75	13	7.6	1930
G-6850	220	700	950	45	24*32	2.3	2*0.75	13	11	1930
G-7400	260	750	1190	68	28*32	2.5	2*0.75	13	12	1930
G-8050	280	800	1540	105	30*32	2.7	2*0.75	13	16	1930
G-8400	300	800	1750	141	32*32	2.8	2*0.75	13	18	1930
G-9000	300	840	2120	185	34*32	2.9	2*0.75	13	21	1930
G-9600	300	880	2460	229	36*32	0.3	2*0.75	13	23	1930

MASS AND INERTIA ARE AT PILOT BORE. LIMITED END FLOAT ON REQUEST. DIMENSION H IS ALIGNMENT CLEARANCE. HIGHER SPEEDS ON REQUEST.

