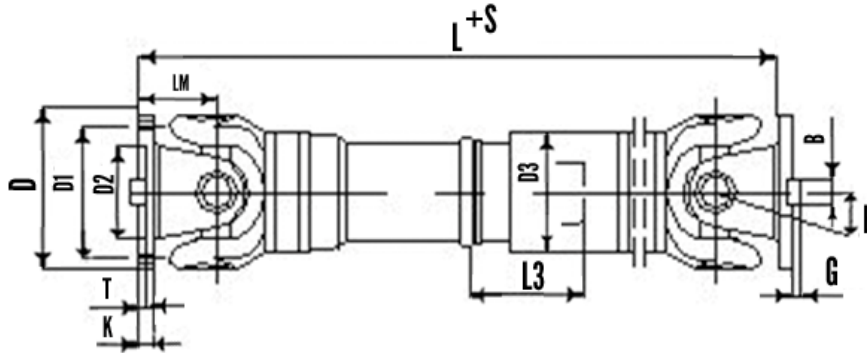
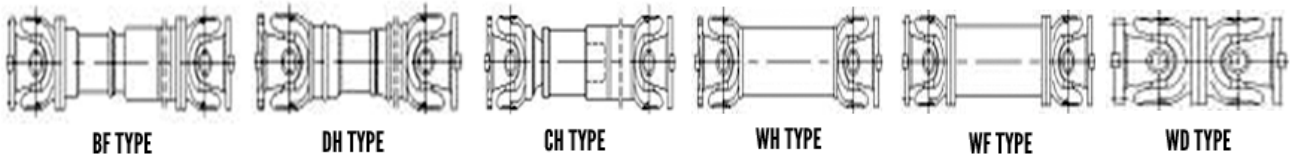




SWC Series

Cross Universal Coupling

GENERAL ASSEMBLY DRAWING



DIMENSIONS AND STANDARD SIZES

Model	Rotary Diameter D (MM)	Nominal Torque Tn KN.m	Fatigue Torque Tf KN.m	Axial Angle $\beta \leq$	Size								
					D1	D2	D3	Lm	n-d	k	t	b	g
SWC100	100	1.6	0.8	25°	84	57	60	55	06-Sep	7	2.5	-	-
SWC120	120	4.5	2.25	25°	102	75	70	65	08-Nov	8	2.5	-	-
SWC150	150	10	5	25°	130	90	89	80	Aug-13	10	3	-	-
SWC180	180	20	10	25°	155	105	114	110	Aug-17	17	5	-	-
SWC225	225	50	25	15°	196	135	152	120	Aug-17	20	5	32	9
SWC250	250	71	35.5	15°	218	150	168	140	Aug-19	25	6	40	12.5
SWC285	285	100	50	15°	245	170	194	160	Aug-21	27	7	40	15
SWC315	315	140	70	15°	280	185	219	180	Oct-23	32	8	40	15
SWC350	350	200	100	15°	310	210	267	194	Oct-23	35	8	50	16
SWC390	390	280	140	15°	345	235	267	215	Oct-25	40	8	70	18
SWC440	440	400	200	15°	390	255	325	260	16-28	42	10	80	20
SWC490	490	560	280	15°	435	275	325	270	16-31	47	12	90	22.5
SWC550	550	800	400	15°	492	320	426	305	16-31	50	12	100	22.5
SWC620	620	1120	560	15°	555	380	426	340	Oct-38	55	12	100	25
SWC120	120	4.5	2.25	25°	102	75	70	65	08-Nov	8	2.5	-	-
SWC150	150	10	5	25°	130	90	89	80	Aug-13	10	3	-	-





SWC Series

Cross Universal Coupling

	Model	100	120	150	180	225	250	285	315	350	390	440	490	550	620
BH	Lmin	390	485	590	810	920	1035	1190	1315	1410	1590	1875	1985	2300	2500
	Weight(kg)	7	12	26	75	130	180	273	389	601	758	1210	1602	2503	3200
	Ls	55	80	80	100	140	140	140	140	150	170	190	190	240	240
BF	Lmin	-	-	-	810	920	1035	1190	1315	1410	1590	1875	1985	2300	2500
	Weight(kg)				90	148	210	315	440	662	857	1380	1731	2667	3367
	Ls				100	140	140	140	140	150	170	190	190	240	240
DH	Lmin				550	640	735	880	980	1070	1200				
	Weight(kg)				62	102	148	240	350	500	655				
	Ls				40	70	70	80	90	90	90				
CH	Lmin				1425	1500	1615	1875	2000	2115	2245	2510	2620	3085	
	Weight(kg)				114	192	250	375	544	853	1000	1620	1860	3150	
	Ls				700	700	700	800	800	800	800	800	800	1000	
WH	Lmin	243	307	350	480	520	620	720	805	875	955	1155	1205	1355	
	Weight(kg)	5	8.5	20	52	85	144	215	302	415	566	870	1140	1526	
WF	Lmin				560	610	715	810	915	980	1100	1290	1360	1510	1690
	Weight(kg)				68	104	150	240	332	452	668	980	1274	1763	2442
WD	Lmin				440	480	560	640	720	776	860	1040	1080	1220	1360
	Weight(kg)				60	90	140	201	291	395	554	854	1156	1624	2220

