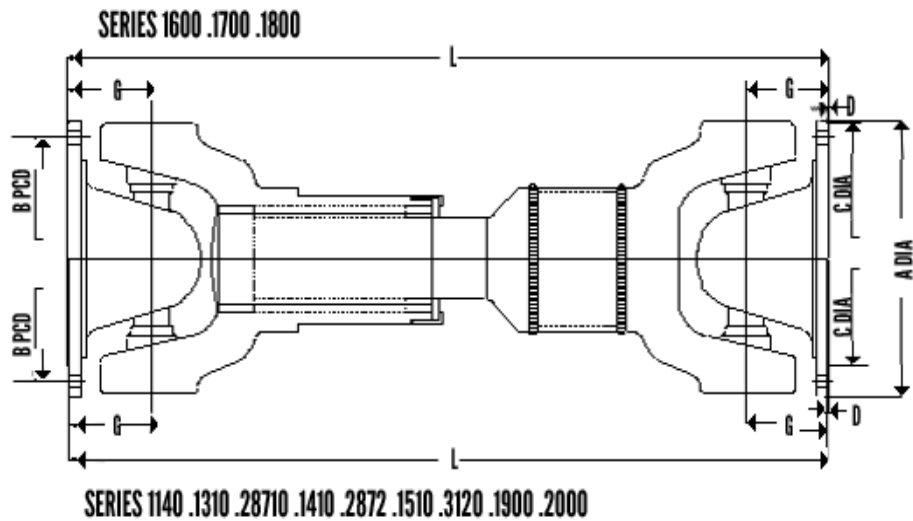
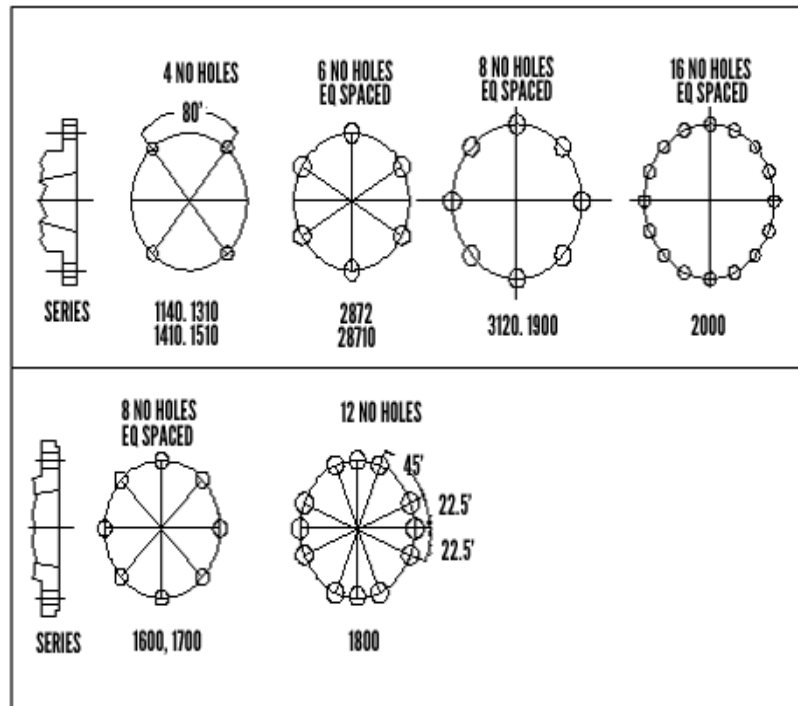




Cardan Shaft Series

1140-2000

GENERAL ASSEMBLY DRAWING





DIMENSIONS AND STANDARD SIZES

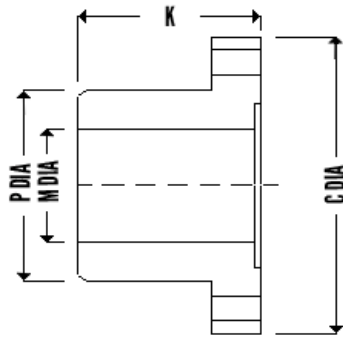
Series	Bolts										
	Max Torque Short Duration	A Flange Dia	B PCD	Dia*no	Max Joint Angle	C Spigot Dia	D Spigot Height	G Flange Face to Jt Cr	I FL TH	P Total Telescopic Movement	Bolt Tight Torque
	Nm	mm	mm	mm	degre e	mm	mm	mm	mm	mm	Nm
1140	571	87.3	69.8	M8*4	20	56.10	1.6	28.6	5.1	46	20
1310	800	96.8	79.4	3/8"*4	20	60.30	1.6	41.3	6.7	46	40
28710	1350	100	84.0	M8*6	18	56.90	2	48.0	7.8	45	20
28710-100DIN	1350	100	101.5	M8*8	18	57.00	-2.5	48.0	7.8	45	20
1410M	2100	*	95.2	7/16"*4	20	69.85	1.2	42.9	7.5	57	64
2872	2400	120	101.4	M10*6	20	82.50	2	54.0	7.8	60	48
2872-120DIN	2500	120	101.5	M10*8	20	90.00	-3				
1510	3200	146	120.6	1/2"*4	20	95.20	1.6	63.5	9.1	51	100
3120	4000	129	111.5	M10*8	20	82.50	2	76.0	8.0	60	48
3120-120DIN	4000	120	101.5	M10*8	20	75.00	-2.5	76.0	8.0	60	48
3120-150 DIN	4000	150	130.0	M12*8	20	90.00	-3	76.0	8.0	60	80
1610	4500	174.6	155.5	3/8"*8	20	168.28	1.6	69.9	9.5	70	40
1700	6500	203.2	184.1	3/8"*8	35	196.85	1.6	85.7	9.5	75	40
1800	9260	203.2	184.1	7/16"*12	20	196.85	1.6	85.7	11.1	82	64
1900	16700	276.2	247.6	M16*8	20	222.25	2.4	98.4	14.3	82	210
2000	26000	287.3	263.5	1/2"*16	15	196.80	2.4	95.2	14.3	76	100

* 1410M Series - Rectangular Flange , Swing Dia ~ 123 mm Notes L Length can be as required The dimensions are for standard execution and subject to change without notice. Additional information about ratings and guidelines are given separately. Cardan shaft are also available in many other styles/assemblies. Some illustrations for alternative assemblies are given separately

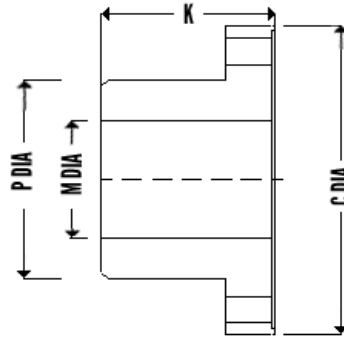
Nominal HP Ratings at various speeds at Service factor = 1.0

Series	1140	1310	28710	1410	2872	1510	3120	1600	1700	1800	1900
10 rpm	0.8	1.1	1.9	3	3.4	4.5	5.3	6.3	9.1	13	23.4
50 rpm	3.3	4.6	7.5	11	14.0	16.5	19.5	24	38	54	95
100 rpm	5.0	7.2	12.1	18	22.5	26.5	32	41	63	85	160
250 rpm	9.0	13	23.5	33	43.0	50.0	58	75	115	155	300
500 rpm	14.0	20.5	38.0	53	68.0	73.0	92	120	170	250	460
750 rpm	19.0	28.0	50.0	70	90.0	102.0	123	155	285	335	600
1000 rpm	22.0	33.0	62.0	85	110.0	122.0	150	190	380	400	735
1500 rpm	29.0	43.0	84.0	110	145.0	160.0	192	250	430	530	980
1800 rpm	48.0	48.0	95.0	125	160.0	180.0	220	285	450	600	1100
2000 rpm	35.0	51.0	100.0	132	175.0	195.0	235	300	450	620	1180
3000 rpm	45.0	66.0	128.0	175	230.0	255.0	310	400	600	830	1500

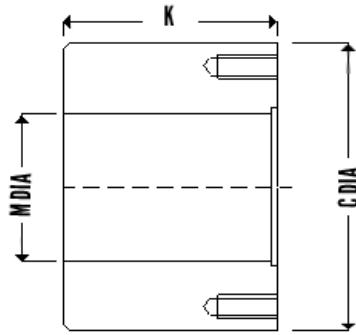


COMPANION HUB


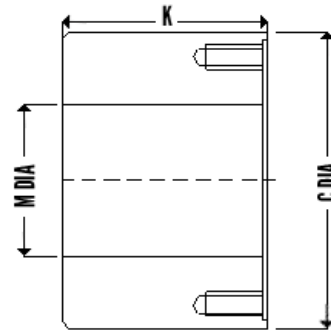
STANDARD HUB
 SERIES 1140, 1310 28710
 1410,2872,1510,3120



STANDARD HUB
 SERIES 1600, 1610
 1700, 1800



SPECIAL HUB
 SERIES 1140, 1310, 28710
 1410, 2872, 1510, 3120



SPECIAL HUB
 SERIES 1600, 1700, 1800
 1610

Standard Hubs

Series	C MM	M MAX BORE MM	K MM	P MM
1140	87	32	45	57
1310	97	42	51	62
28710	100	48	50	69
1410	116	48	51	73
2872	120	55	55	80
1510	146	62	76	95
3120	130	65	75	90
1600,1610	175	80	89	120
1700	203	100	100	155
1800	203	100	100	155

Special Hubs

Series	C MM	M MAX BORE MM	K MM
1140	87	55	50
1310	97	60	63
28710	100	70	75
1410	116	70	76
2872	120	80	80
1510	146	95	100
3120	130	85	75
1600,1610	175	114	127
1700	203	140	152
1800	203	140	152